

UNI-SAN

UNI-SAN DOMESTIC and UNI-SAN COMMERCIAL

Automatic waste water only collection tank and electrically operated pump system.

INSTALLATION AND SERVICING INSTRUCTION MANUAL

PLEASE READ ALL INSTRUCTIONS PRIOR TO PROCEEDING WITH ANY WORK

A permit may be required. Check with the plumbing and drainage and the electrical inspectors before installation. Local regulations may stipulate additional installation requirements.

AFTER INSTALLATION, THE INSTALLER MUST HAND THIS MANUAL TO THE OWNER FOR THE PROPER OPERATION AND MAINTENANCE OF THE UNIT. Failure to do so will result in the installer being liable under current legislation for future claims resulting from incorrect operation or servicing.

Figure 1 : Dimensions

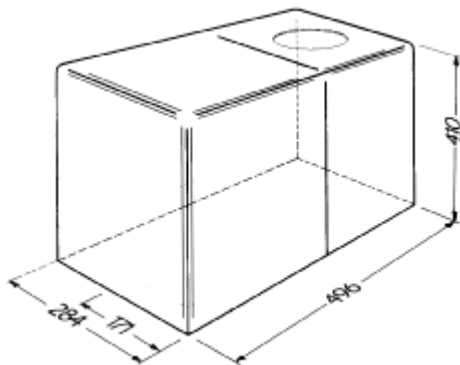
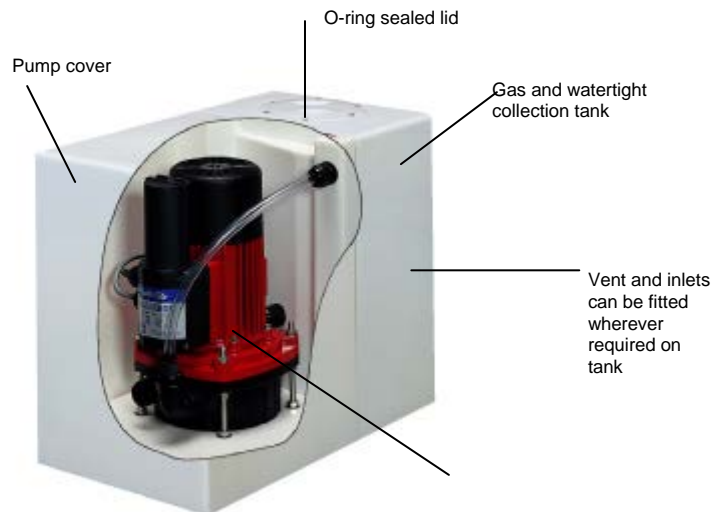


Figure 2 : Cut-away view through the cover showing the dry mounted pump and motor unit, mounted on a sealed gas and water-tight tank.



Type Tested
Plumbing Safety
MP52 Spec 101 Cert 8139
Standards Australia

WARNING

Observe Local Water
Authority Requirements
For installation Restrictions

PAGE INDEX

Section	
1. General view and connections.....	2
2. Product overview	3
3. Applications	3
4. Features & benefits.....	4
5. Overall building design and Pump hydraulic capability...	4
6. Warning : for your safety.....	5
7. List of fittings supplied, recommended extras and tools.....	6

Section	
8. General installation aspects and electrical data.....	6
9. Specific installation procedures.....	7
Shower tray or bath plug height.....	8
10. Care and servicing.....	9
11. Warranty and Limitations.....	10
Appendix A: Rotating the delivery direction...	11
Appendix B : Fault finding chart.....	11
Appendix C : Remote installations.....	14

Limitations : We reserve the right to change these instructions and improve the product without prior notice.

AUCKLAND
55 MAURICE RD, PENROSE
PO BOX 12 387
PH 09 622 9100
FAX 09 622 9119

PALMERSTON NORTH

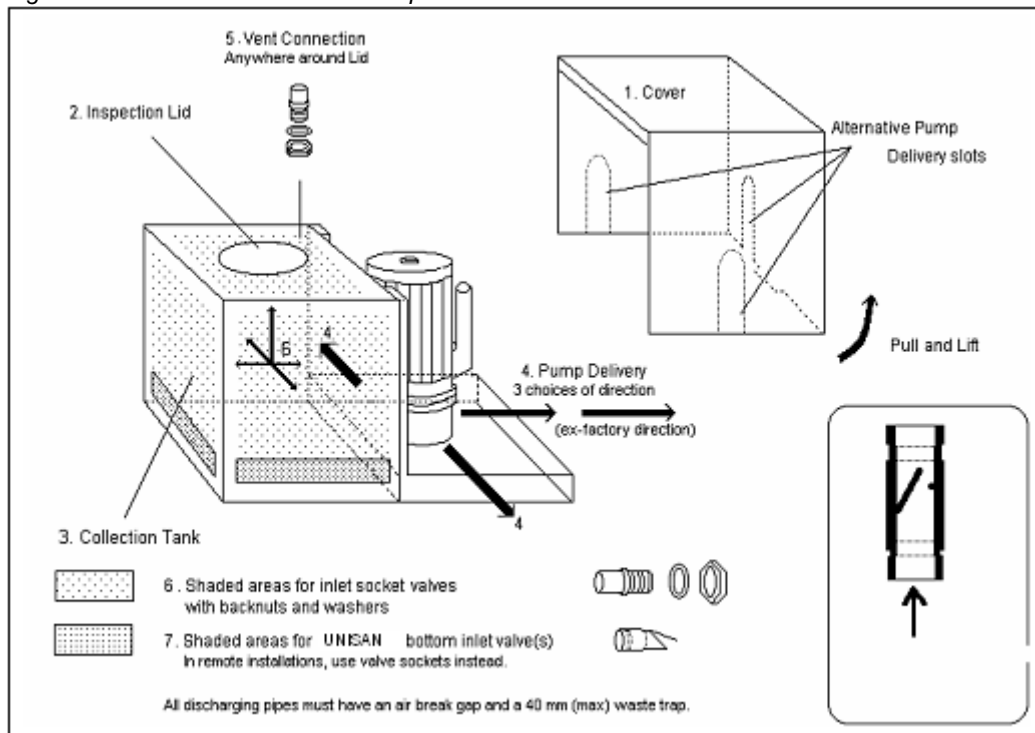
PH/FAX 06 323 4445

CHRISTCHURCH
35 BUCHAN ST
SYDENHAM
PH 03 365 6453
FAX 03 366 6995

A division of CONSOLIDATED ALLOYS (NZ) Limited.

1. GENERAL VIEW & CONNECTIONS

Figure 3 : Connections and names of parts



1. **Cover** for pump, motor and controls. Lift to remove.
2. **Inspection lid** - Screw in type with o-ring seal; turn anti-clockwise to remove. The unit must be installed upright with the inspection lid on top.
3. **Collection tank** - Fittings supplied are shipped inside. Cut holes neatly and carefully. Do not subject to impacts, scratches, scouring or partial drilling that may weaken it. Take care not to damage internal parts with hole saws. If the unit is not installed in the same room as the fixtures, it should be plumbed according to Appendix C. Access must be provided for maintenance at all times.
4. **Pump delivery** 25 mm BSPF -3 optional directions. Use Class B or D or Class 4.5 PVC pressure pipe. Install a union/coupling close to the pump for future pump removal without disturbing the pipework. Securely strap and isolate the pipe from the building structure to prevent vibration or noise transmission during operation. Any horizontal section of the delivery pipework should always have a continuous rise towards the soil or waste pipe connection. It should never be level or have a fall.
5. **Tank vent connection** - 32 mm valve socket is supplied inside the tank. Use 32 mm pipe to run the vent to a termination point in accordance with the Building and Plumbing Code. **Do not use an air admittance valve, e.g. a "Hunter Valve"**.
6. **Inlet connections** using PVC valve sockets with back-nuts and washers can be installed anywhere on the four walls, or the top of the collection tank (except over the float switch) for fixtures or appliances which have an overflow level higher than the unit. Allow room for the back-nut when cutting the hole. Check that either the inflow liquid or the protruding pipe inside the tank will not damage fittings inside the tank or hinder the operation of the float level switch. One 40 mm valve socket is supplied with the unit.
7. **UNI-SAN Bottom Inlet Valve**, unless the unit is installed below the floor level, should be used for a shower or a bath connection, not shared with any other connecting fixtures or appliances. If both are connected, each must have its own UNI-SAN Bottom Inlet Valve. It can be made with a hole-saw on any of the four walls, 80mm centre height from the base. The inlet pipe must be braced to prevent the water pressure from separating the push-fit connection. **The valve is purchased separately.**
8. All fixtures and appliances connecting into the UNI-SAN must discharge through **a trap and a waste strainer** with a maximum of 10mm diameter apertures. All pumped appliances, such as washing machines and dishwashers, must discharge via an approved waste system which includes an air gap and a trap.
9. The **25 mm swing check valve** supplied must be installed in the delivery pipe in a vertical position within one metre (pipe length) of the unit to stop backflow of liquid from the pipe back into the collection tank. The 25 mm union should be installed between the pump and this valve.
10. **Isolation Valve** – A **25 mm full flow ball valve** for installation after the 25 mm swing check valve is supplied
11. **Labels** warning against inappropriate discharges are supplied and should be affixed on the appropriate fixtures and appliances connected.

2. PRODUCT OVERVIEW

The UNI-SAN pump is designed for the disposal of waste water and any solids which can pass through a plumbing trap and a waste strainer with a maximum of 10 mm diameter apertures. The unit is capable of pumping the effluent from a kitchen waste unit, but it is neither a waste disposal macerator nor suitable for pumping raw sewage waste from a toilet. For these other applications, contact Wallace Pumps or a Distributor for other options.

The WALLACE UNI-SAN collects the gravity fed waste liquid into its collection tank. When a set water level is reached, the level switch inside the collection tank automatically activates the powerful quiet pump to deliver the effluent under pressure to the desired location through a 25 mm internal diameter pipe. The discharge point will usually be into a gulley trap or into a soil stack.

Due to the small pipe size and pump pressure, the delivery can be run virtually anywhere, in any direction,

- through walls,
- through ceiling spaces,
- under floors,
- around, under and over obstacles.

The unit enables the installation of a variety of equipment where this was previously impossible due to economic constraints, physical limitations, or because there was no unit available with adequate performance or reliability. The UNI-SAN has been developed to overcome these problems, including

- below sewer-line installations,
- where gravity fall is not possible,
- physical restrictions, e.g. concrete walls or concrete floors,
- where new pipes cannot be run under the floor, such as concrete floors,
- where large diameter 80 - 100 mm gravity lines are not appropriate for the location,
- and many other situations.

3. APPLICATIONS

The UNI-SAN range is made up of two models, and as the names suggest there is one for domestic applications and one for commercial. Both units are the same dimensions and pumping performance, the major differences are in the materials of construction, level control and motor switching design.

The UNI-SAN DOMESTIC is NOT to be used in commercial applications.

The UNI-SAN collects and automatically pumps away waste water from the following and many other sources :

- laundry tubs,
- domestic and commercial sinks with or without waste disposal units,
- domestic and commercial clothes washing machines,
- domestic and commercial dishwashing machines,
- bar facilities,
- bath, shower, vanity,
- air conditioning condensate,
- dehumidifier water,
- a floor waste gully trap plumbed according to AS3500 and Appendix C, *Figure 7c*.

PROVIDED THAT

- **in a multi-storey construction, they are all located on the same floor level as the UNI-SAN,**
- **maximum temperatures in the collection tank are 60°C continuous and 95°C intermittent,**
- **no acids, solvents, paints, petroleum products, corrosive/abrasive liquids or excessive fats are discharged into the unit**
- **and the volume of water discharged into the unit from fixtures and/or appliances operating at the same time must not exceed 35 litres per minute.**

Contact our office for advice :

- for inflows higher than 35 litres per minute,
- for general commercial applications,
- where there is a high quantity of fats being discharged,
- for printing, photographic or similar trade processing waste.

Typical applications for the UNI-SAN DOMESTIC are :

- basement facilities
- relocated domestic amenities where gravity fall to existing sewer connections is not possible
- master bedroom en-suites without toilet (Refer MULTI-SAN unit for toilet applications)
- executive bars and showers
- re-developed apartment blocks in inner cities enabling waste pipes in ceilings

Typical applications for the UNI-SAN COMMERCIAL are :

- arcade or retail developments including hair salons, cafeterias, delicatessens, etc.
- amenities in factories built on concrete floor slabs

- photography development room.
- bakeries and cafes

You must consult your local plumbing and drainage inspector for a permit / consent approval.

4. FEATURES AND BENEFITS

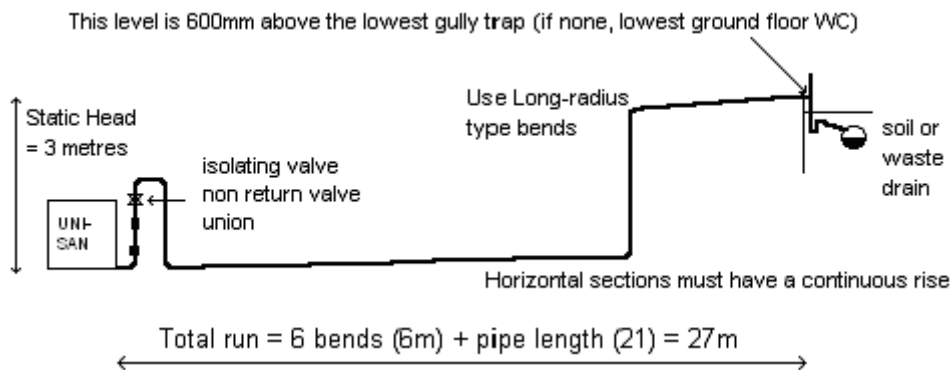
FEATURES	BENEFITS
Higher pump head (longer run & higher vertical height)	Pumps higher and further
Higher flow rate	Empties faster and accepts multiple discharges
Dry mounted motor and pumping unit	Easier to clean and service and more reliable
Heavy duty motor	Longer lasting
Heat and overload protected motor	Reduces risk of costly burnt-out motor
One piece collection tank	No joints to leak liquid or odours
Multiple entry options into the tank	Can service many utilities from many directions
3 alternative directions for the delivery pipe	Flexible pipe-out
Higher water temperatures than other systems	Far wider range of applications
Vortex impeller design	Passes hair, lint, fibre, tea bags, etc without blocking

5. OVERALL BUILDING DESIGN AND PUMP HYDRAULIC CAPABILITY

To ensure that the UNI-SAN is suitable, check your installation requirements against the dimensions and hydraulic capabilities of the unit.

- Ascertain that the combined inflows into the unit at any time do not exceed 35 litres /min
- Measure the overall height of the delivery pipework (from the bottom of the tank to the highest point in the delivery line, also referred to as Static Head).
- Measure the total run of all vertical and horizontal pipes from the pump to the sewer drain.
- Count the number of bends in the pipeline. Each is equivalent to 1 metre run.

Figure 4 : Example of hydraulic selection (equal to position A on Figure 5)

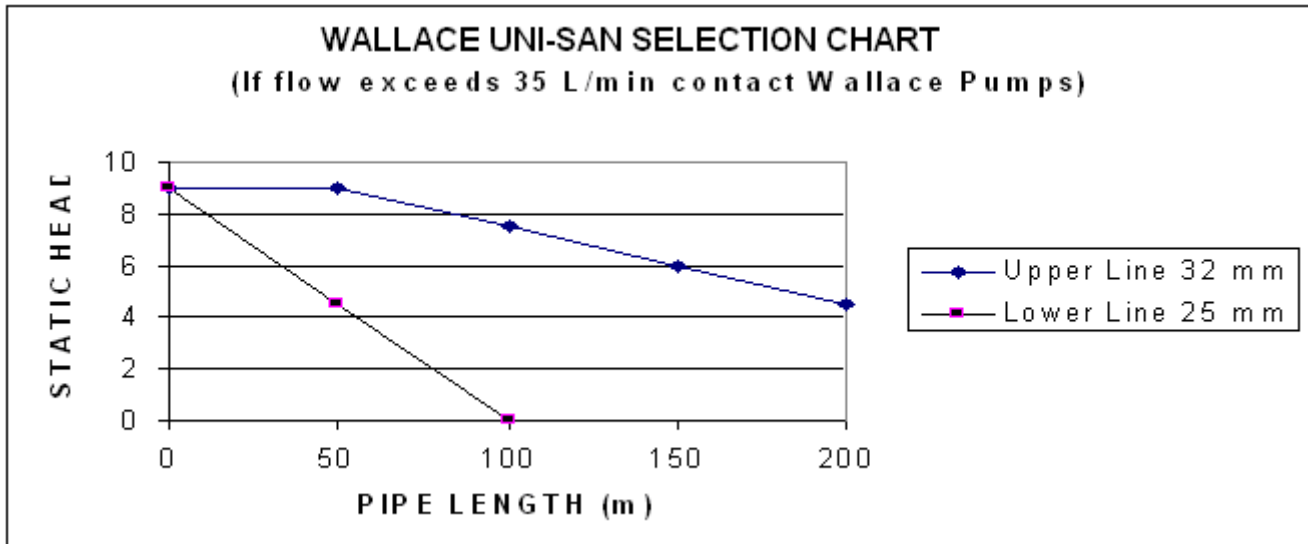


Plot the intersection of metres overall height and metres total run on the chart below (Figure 5).

SELECTION EXAMPLES

- Example 1 Static head = 3m.
Horizontal Pipe (21m) plus 6 x 90 bends (6m equivalent) = 27m total run of pipes.
Plot on the chart, the intersection is below the lower line. Use 25 mm or 32 mm pipe.
- Example 2 Static head = 6m.
Horizontal Run (61m) plus 9 x 90 bends (9m equivalent) = 70m total run of pipes.
Plot on the chart, the intersection is above the lower line and below the upper line. Use 32 mm pipe.
- Example 3 Static head = 6m.
Horizontal Run (180 m) plus 9 x 90 bends (9m equivalent) = 189 m total run of pipes.
Plot on the chart, the intersection is above the upper line. Contact Wallace Pumps to discuss alternatives.

Figure 5 : Hydraulic selection



NB: The above chart and figures are based on using Class B or D or 4.5 PVC pressure pipes and one 32 mm swing check valve. This will ensure a minimum delivery flow of 35 litres per minute from the WALLACE UNI-SAN. This is in excess of the highest output domestic washing machine that is currently known to be available. If you are uncertain, call your appliance supplier for the output flow for your particular unit.

6. WARNING : FOR YOUR SAFETY

The UNI-SAN unit requires a power supply rating of 230 Volts 50 Hz single phase. This apparatus must be earthed. To ensure safe operation, check that the three pin power point is earthed and protected by a fuse or ELCB protection of an appropriate rating. Also check with your local power supply authority. Their requirements may be additional to and over-ride those listed above and in section 8.3.

When opening the cover or inspection lid, always switch the power off and ensure no liquid flows into the tank.

To prevent shock or fire hazard, do not expose this unit to rain, any type of moisture, flooding or overflows.

The wires in the main connection plug are coloured in accordance with the following code :

Earth : Green/Yellow Neutral : Blue Phase : Brown

7. LIST OF FITTINGS SUPPLIED AND RECOMMENDED EXTRAS

7.1 Unpacking And Inspection

Your UNI-SAN package should contain the following items

- 1 x WALLACE UNI-SAN pump unit
- 1 x 40 mm PVC valve socket, back-nut and washer for a 40 mm inflow waste pipe
- 1 x 32 mm PVC valve socket, back-nut with washer for the tank vent pipe
- 1 x 25 mm PVC swing check valve
- 1 x 25 mm PVC isolating ball valve
- 1 x 25 mm PVC union

7.2 Options And Supplies :

Additional materials you may require from your plumber/installer or local plumbing or building merchant :

- 40 mm UNI-SAN Bottom Inlet Valve for connecting a shower tray or a bath
- PVC valve sockets with back-nuts and washers to suit the appropriate pipework
- 32mm - 50 mm PVC drain waste pipe(s) into the UNI-SAN
- 32 mm PVC waste pipe and cowl for the vent from the collection tank
- 25 mm (refer Figure 5) Class B or D or 4.5 PVC pressure pipe for the delivery pipe
- any other size pipes as required
- PVC fittings and cement as required (bends, sockets, traps and waste strainers, etc.)
- PVC pipe "lubricant" (do not use petroleum based products)
- Thread tape - do not use hemp.
- Silicone sealant.

7.3 Tools Required for the installation

- Stanley knife, or jig saw or hacksaw (for cutting out delivery pipe slot in the cover)
- Half round file

Emery paper strip

50 mm O.D. hole saw (for cutting out UNI-SAN Bottom Inlet Valve hole)

42 mm O.D. hole saw (for cutting out tank vent pipe hole)

Other sizes as required, holes cut must be no more than 3 mm larger than the OD of the valve socket thread.

8. GENERAL INSTALLATION ASPECTS AND ELECTRICAL DATA

8.1 General

1. Where a permit or consent is required, it is recommended that the unit should be installed by a registered plumber and the power supply should be connected by a registered electrician. It is the responsibility of the installer to obtain the necessary permits and ensure full compliance with all applicable local regulations. The owner or owner's agent must ensure that the UNI-SAN is compatible with the existing or proposed plumbing system design.
2. The installation of the unit and the swing check valve must comply with the following conditions
 - they are easily accessible for servicing;
 - service fixtures and appliances located on the same floor level as the unit, each must have a waste trap installed; for below-floor installations refer to Appendix C.
 - are in a clean, dry, non-floodable position, protected from UV and on a permanently sturdy support;
 - design against overflow, flooding, unwarranted interferences or excessive moisture;
 - protect from freezing of liquids in the unit and the pipework;
 - the tank is installed with the screwed inspection lid on top;
 - unless the unit is installed below the floor level as in Appendix C, *Figure 7c*, install an individual UNI-SAN Bottom Inlet Valve for the shower tray and one for the bath;
 - if installed outside or below the floor, the unit is installed according to Appendix C.
 - all the requirements in these instructions are met.
3. Cut holes carefully. Check via the inspection lid, the position of fittings inside the tank before drilling. For PVC valve sockets, allow room for the back-nut. Take care not to score or mark the tank as this may weaken it.
4. Modifications not described in this manual and without written authorisation by a Wallace representative will nullify the Wallace Pumps warranty and durability compliance.

8.2 Plumbing

1. The connection to the soil and waste drain system must be carried out in accordance with the Building and Plumbing Code. The connection of the unit's delivery pipe to a soil or waste pipe should be kept at least 0.5 metre distance from any other connection. Also it must not be connected in a section of the pipe which runs the risk of being flooded creating a back pressure down the pipework to the unit. The connection point is usually 600 mm above the lowest W.C. connection or the lowest gully trap. Delivery into a gully trap must have an elbow to direct the flow downwards. The connection of the delivery from the unit to a soil or waste pipe should be a swept inspection bend in the direction of flow of the soil or waste pipe.
2. Any horizontal section of the delivery pipework should always have a continuous rise towards the soil or waste pipe connection. It should never be level or have a fall. The pipework must be securely strapped and isolated from the building structure to prevent vibration and noise transmission.
3. Install only the supplied swing check valve within one metre of the pump in a vertical position.
WARNING : Use of non-approved non-return valve will invalidate the WALLACE UNI-SAN warranty. The valve must be installed in an easily accessible position for future servicing.
4. All pumped appliances, such as washing machines and dishwashers, must discharge via an approved waste system which includes an air gap and a trap. **BEWARE OF OVER TEMPERATURE DISCHARGE FROM WASHING MACHINES.**
5. Ensure that the 32 mm tank vent is installed in the top of the unit and that it extends full-bore to the external air (the minimum height must be 50mm above the overflow level of the highest fixture discharging into the WALLACE UNI-SAN) or terminated elsewhere as described in the current Building & Plumbing regulations. **DO NOT use air admittance venting devices** as they do not let air out of the tank, eg: a "Hunter Valve".
6. It is important from a health and safety reason and for the protection of property, that an overflow relief pipe is plumbed and delivered to a safe and visible area in the event that the discharge flows into the UNI-SAN exceed the pump hydraulic performance capability or caused by a mechanical failure or a pipe blockage. Pumped appliances and water supply can be safeguarded as per Section 10.4 (Overflow).

7. Install plumbing waste traps and strainers with a maximum of 10 mm diameter apertures in the inlet pipes to prevent excessively large solids passing through.

8.3 Electrical Connection

- The WALLACE UNI-SAN is fitted with a high quality 2900 rpm 2 pole speed motor :
 - Current : 2.45 amps FLC
 - Motor output : 0.4 kW
 - Cable: 1.5 metres of 3 core - supplied with the unit
 - Connection Plug : Standard 3 pin domestic earthed - supplied with the unit
 - Supply : Single phase 230 volts 50 Hz.
- Overload protection (thermal / overload) : the unit has a built-in automatically resetting motor overload. In the event of a fault and trip, the pump may restart without warning. If the pump continually cycles on and off, switch the power off and refer to the fault-finding section (Appendix B).
- Wiring connection : the electrical wiring connection type should preferably be the "Clipsal Permanent Connection Unit with Neon" type, or PDL 253N, or similar. The permanent connection should be fixed in a position where it cannot be reached by a person in a bath or shower or standing on a wet surface.
- The unit requires a domestic 3 pin earthed single phase power supply. The appliance must **not** be connected to a conventional plug, socket or adaptor when installed in a bathroom, unless properly protected by an approved earth leakage circuit breaker or similar.
- Refer Section 6 (Warning : for your safety) for additional electrical information.

Always refer to your local power supply authority for details of acceptable wiring, as their requirements over-ride the guidelines above.

9. SPECIFIC INSTALLATION PROCEDURES

9.1 Pipework Sizes (Pipe sizes are nominal internal diameters)

DRAIN from shower and bath to the UNI-SAN Bottom Inlet Valve(s)	32 - 50mm Waste Pipe
DRAIN from vanity, laundry, etc to the valve socket(s)	40 - 50mm Waste Pipe
DRAIN from kitchen sink to the valve socket	40 - 50mm Waste Pipe
DRAIN from Floor Waste Gully Trap plumbed as per Appendix C, <i>Figure 7c</i> , to the valve socket	50-100mm Waste Pipe
VENT from WALLACE UNI-SAN to approved termination	32 mm Waste Pipe
PUMP DELIVERY from UNI-SAN to approved termination	25 mm PVC Class B/D/4.5 Pressure Pipe

Note : Choice of pipework sizes vary with state and local plumbing regulations.

9.2 Layout And Pipe-Out Options The waste inlet valve sockets and Bottom Inlet Valve(s) can be installed in any of the four walls, or in the top of the collection tank.

No inlet fittings or inflows should be in line with the operating range, or on top of the float switch.

The vent pipe must be installed in the top of the tank, anywhere around the inspection lid.

The pump is supplied with the delivery outlet out the end of the unit. If necessary and on request Wallace Pumps can supply prior to despatch of the pump from our store with the outlet set to deliver out either side.

9.3 Positioning And Marking Out Decide which way round to install the UNI-SAN unit.

Place the unit in position. At this stage, you must visualise where the pipes will run from fixtures to the unit, where the tank vent pipe and delivery pipe will run from the unit. Ensure that the whole system will integrate correctly in terms of gravity fall requirements before proceeding.

If the UNI-SAN Bottom Inlet Valve is used, mark the centreline position(s) at 80 mm height above the base of the unit, and no closer than 45 mm centreline from the side of the unit. If a valve socket is used, allow room for the back-nut inside the tank to be at least 40 mm away from the fittings inside the tank and the corners of the tank and check that the pipe protrusion is clear of the vent tube, the float level switch and its movement operation. View through the inspection lid before cutting the hole.

Decide on the position of the vent pipe in the top of the tank. Mark the centreline for a 42 mm O.D hole to take the 32 mm valve socket, allowing room for the fitment of the washer and back-nut inside the tank.

9.4 Cutting Out Cut holes using the correct hole saw sizes. The holes cut must be no more than 3 mm larger than the OD of the socket thread being fitted. Ensure the drill or saw does not penetrate excessively such that it would damage the fittings inside the tank, especially the float level switch or its cable.

9.5 Fitting :

Tank vent connection: Push the threaded end of the 32 mm valve socket through the hole in the top of the tank. Then via the inspection lid, firstly fit the washer and then the nut to the thread. Tighten the nut and socket firmly. If necessary a small bead of silicone sealant can be applied to the tank side of the washer and thread inside the tank.

Tank inlet connection : Installation is the same as for the above tank vent pipe valve socket.

Bottom Inlet Valve : Note there is a triangular impression on the outside of the valve. This must be on top once installed. Push the valve into the 80 mm centre height hole until its shoulder is hard up against the tank. Insert a finger in the valve and ensure it operates freely. The flap should lift and fall back freely onto its seat. Do NOT use sealant when installing the valve as it can interfere with the valve's operation.

9.6 Pipe-Out Sequence Fit the UNI-SAN unit in the desired position. Fit-out the pipework first, then fit the cover.

9.7 Tank vent Pipe Cement the pipe to the valve socket. This pipe should be run full-bore to the external air at an approved termination point. **Do not use air admittance devices** (e.g. "Hunter Valves").

9.8 Pump Delivery Pipe The pump outlet connection is 25 mm BSPF. Refer to Section 5 "Hydraulic capability" to determine the correct pipe size from this connection. Slip the delivery pipe in the ends of the swing check valve supplied. Check the direction of flow and hand tighten the nuts on each end. It is possible to carefully tighten these $\frac{3}{4}$ to 1 more turn with a wrench. Install the isolating ball valve.

9.9 Waste Pipes to the WALLACE UNI-SAN

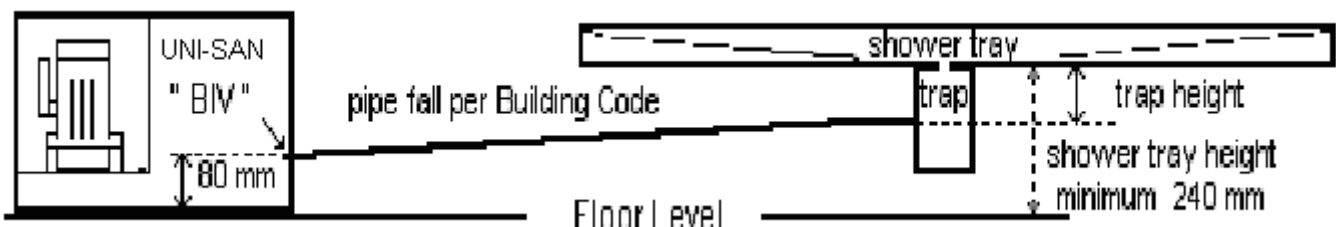
Run the pipes between your sanitary fittings and the UNI-SAN tank inlet and bottom inlet valve connections. Ensure that the minimum fall is maintained and that the installation complies with the Building and Plumbing Code including air breaks, strainers, traps, pipework sizes and lengths.

Pipework into the UNI-SAN Bottom Inlet Valve : The 40 mm PVC pipe connected must be chamfered on the outside diameter and lubricated with PVC pipe "lubricant". Insert the pipe, 25 mm deep into the valve up to its internal shoulder.

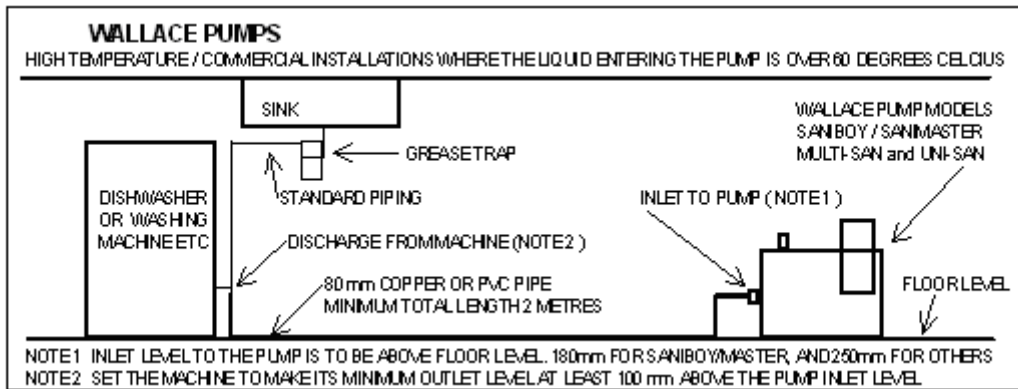
All inlets must have a waste trap connected. Vent the pipes where necessary.

9.10 Shower Tray or Bath Waste Height If the unit is not installed below the floor level, the minimum height of the shower tray waste discharge point is 240 mm above the UNI-SAN base level. The final height is determined by starting from the UNI-SAN Bottom Inlet Valve's 80 mm centreline and work back to the shower tray discharge point at the minimum pipe fall rate. Add the necessary height for the trap to give you the total height from the floor to the shower tray.

A shower waste pipe discharging into the unit must have its own un-shared UNI-SAN Bottom Inlet Valve. Similarly a bath waste must have its own UNI-SAN Bottom Inlet Valve. If the unit is installed below the floor level as in Appendix C, *Figure 7c*, a valve socket connection should be used instead of the UNI-SAN Bottom Inlet Valve.



9.11 High temperature installations



If not practical talk to Wallace Pumps about cold water solenoid valve injection systems for dishwasher discharge.

9.12 Fitting The Cover Mark the pump delivery pipe centreline position on the cover and cut out with a hole saw to suit the position of the selected 25 mm or 32 mm delivery pipe position. Cut down from the edge of the hole to the base to create the slot necessary for installing and future removal of the cover. The pump cable power can be run through this slot.

9.13 Connection To The Power Supply Connect the unit to the power supply. Ensure that this complies with all the relevant requirements of the local power supply authority and any governing body. Switch on the power when ready.

9.14 Testing Run water into the unit. The motor and evacuation should start when the liquid is approximately 200 mm deep in the tank and should stop at approximately at 60 mm depth. If the operation does not appear to be correct, refer to the fault finding section (Appendix B).

10. CARE AND SERVICING OF YOUR UNIT

10.1 Normal Usage The UNI-SAN pumping system is designed for the disposal of waste water with solids which are able to pass through a plumbing trap and a waste strainer with 10 mm diameter apertures. When fault-finding, always switch the power off and take care to stay away from moving parts or electrical circuits when switching the power on or when moving the float level switch.

Do not discharge acids, solvents, paints, thinners, petroleum products, corrosive/abrasive liquids, excessive fats or any other products that may be harmful to the unit into the tank. A grease trap should be installed in commercial applications and should be cleaned regularly. The unit is not designed as a kitchen waste disposal unit or for the disposal of sewage. Refer to our office for the UNI-SAN model or other options.

10.2 External cleaning The external surface should be cleaned with a damp cloth, and dishwashing detergent if required. Do not use abrasive liquids or pads, solvents or petroleum products as these may scour or damage the surface.

10.3 CLEANING INSIDE THE TANK If you connect to a sink in a food preparation area you may experience fat or sludge build-up problems in the tank, we recommend that you regularly clean (3 or 6 monthly) the unit with a solution of household detergent or household bleach. Switch off the power supply. Mix a solution normally used for vinyl floor cleaning. Pour into the tank through the inspection lid and leave to stand for 20 minutes. Switch on again and flush with clean water. If required, the inside of the tank can be cleaned manually via the inspection lid.

10.4 Overflow Where a discharge flows into the UNI-SAN, adequate precautions must be taken to ensure that no undesirable overflow can occur in the event of the unit not operating due to any cause. Likewise, you should not continue to discharge more liquid into the unit if the pump does not start as the collection tank fills up or discharge into it flow rates in excess of the capability of the pump. If you require higher flow rate capacity, call our office for other options.

Three alternative protection systems can be installed :

1. An audible alarm can be fitted that is activated when the level of fluid inside the pump reaches a high level. This alarm can also be wired to notify a Building Management System.

2. In addition, drainage into the UNI-SAN unit can be isolated by means of a fail closed solenoid valve on the water supply to any fitting that discharges into the unit. This valve, if activated either by a power failure or a separate

high level switch in the UNI-SAN as described in the previous paragraph, would turn off the localised water supply to fixtures and appliances discharging into the unit.

3. If appropriate, a suitable size overflow pipe for emergencies can be plumbed from the UNI-SAN to a suitable delivery point.

10.5 Protect the unit from flooding or excessive moisture The UNI-SAN is an electrical appliance and therefore is subject to damage if the electrical components are exposed to water or excessive moisture. Always secure the cover lid in place and ensure any overflow / accidental leakage can drain away from the unit. To ensure safe operation, ensure that the power supply is earthed and protected by a fuse or ELCB protection of an appropriate rating.

10.6 Protect from frost If the installation is exposed to frost conditions, adequate precautions must be taken to prevent against freezing of liquids inside the UNI-SAN and all the pipework into and out of the unit. Icing may result in permanent damage to the unit. Never pour hot water over the unit and do not use anti-freeze agents.

10.7 Regular Servicing The UNI-SAN and the 32 mm swing check valve must be serviced at regular intervals by an authorised Wallace Pumps Service Agent. The maximum interval between service should be 2 years; more frequently if the usage is high, such as in commercial installations.

The interior of the collection tank should be kept clean. The intervals between cleaning will be determined by the type of usage. Regular inspection will determine the required frequency. Inspection and access is via the screw-on lid on top of the tank.

Ensure isolation and disconnection of the power supply to the pump before and whilst carrying out any servicing work on the unit. Also ensure no liquid will flow into it during servicing.

10.8 Modifications or Repairs Wallace Pumps does not warrant for any damage to the unit or any other property caused by any un-authorized modifications/repairs in contravention with the Company's instructions or by use of materials or fittings not supplied by Wallace Pumps. Where a claim arises, we suggest you contact the installer for rectification.

11. WARRANTY AND LIMITATIONS

The purchaser and / or installer must ensure full compliance with all applicable regulations.

Wallace Pumps does not warrant for any damage to the unit or any other property caused by poor quality installation, workmanship or installations in contravention with the Company's instructions, or by failure of materials or fittings not supplied by the Company. The Company does not accept any liability resulting from flooding or from safety breaches, the user must take the necessary steps to guard against such occurrences.

Subject to the above and where the unit has been installed, operated and maintained in accordance with local plumbing and electrical regulations and this instruction manual, Wallace Pumps warrants the unit for a period of 2 years from the date of purchase, against defects in materials and workmanship on the basis of return to our distributor's or service agent's premises, freight paid. Contact Wallace Pumps for a list of names and addresses.

The units meet the NZ building code durability requirement of 5 years provided they are installed in an easily accessible position, provided normal maintenance is carried out on parts subject to wear and tear and provided all installation and operating instructions in this manual are followed.

If you require further assistance, call a sales engineer at any of our offices or distributing representative.

We thank you for your custom.

APPENDIX A : Rotating the delivery outlet direction

There are 3 choices of delivery outlet position (refer to Figure 3 General view and connections).

The pump is supplied with the delivery outlet, out the end of the unit as shown in figure 3.

If one of the two alternatives is required this should be stated with the order to Wallace Pumps.

It is recommended that the procedure to rotate the outlet be carried out only by Wallace Pumps.

APPENDIX B : Fault Finding Chart

DO NOT DISCHARGE LIQUID INTO THE PUMP IF IT IS NOT OPERATING.

NOTE In the warranty period, any work not described in this manual must be carried out by Wallace Pumps Service Agents otherwise your warranty and the product's durability period will be invalidated.

ALWAYS ensure isolation and disconnection of the power supply to the pump before and whilst carrying out any servicing work on the unit. Also ensure no liquid will flow into it during servicing.

	<u>OCCURRENCE</u>	<u>POSSIBLE CAUSE</u>	<u>REMEDY</u>
1.	-Motor runs continuously without clearing the liquid.	- Switch operated by water level remains in the ON position because : a. pipework is blocked; or b. pump is blocked; or c. tank is blocked; or d. check valve installed back to front e. delivery hose is kinked.	-Check that the pipework is clear. -Turn off the power and check that the pump can rotate freely in both directions by turning the shaft at the top end of the motor with a screwdriver. -If blocked, clear the obstruction. - Reverse the valve. -PVC Pipes are recommended.
2.	-Pump runs but delivers little or no liquid.	-Delivery head (combination of vertical and horizontal pipe lengths, pipe bends and size) is too high for the unit.	-Check the system against the pump operating parameters. Refer Section 5 (Building design). If the building or application design is in excess of the pump capability shown on the chart, call our office for advice. -Check that the pump is not pumping the water level down too low. (Refer fault 9 below).
3.	- Pump starts but takes over 10 seconds to reduce the liquid level in the tank (as seen through the inspection lid).	-Delivery line is partially blocked or too small. -Wrong type of delivery valve used ; eg spring poppet type -Float level switch is too long. -Float level switch is hung up. -Float or pressure switch is faulty. -Pump is not venting. -Tank is not venting	-Unblock and/or change the pipework to the minimum ID. Refer Section 5(Hydraulic capability). -Always use a 32 swing check valve in a vertical position within 1 metre of pump. -Check that the pump is not pumping the water level down too low. (Refer fault 9 below). -Remove the obstruction via the inspection lid. -Replace the switch. -Visually check that the tank vent pipe is clear ; or by releasing the pipe from the tank and blow down it; or by removing it and flush clean. -Check that the vent functions: . Liquid should rise in the vent tube until the pump starts; .When the pump runs, little or no liquid should flow through the vent tube. Remove the inspection lid to check the return flow into the tank; .When the pump stops, the liquid in the vent tube should draw down to empty. -Check that the pump is not pumping the water level down too low. (Refer fault 9 below).

4.	Motor does not start at all.	<ul style="list-style-type: none"> -Not connected to power supply. -Power cut/fuse blown. -Thermal load activated. -Faulty float level switch. 	<ul style="list-style-type: none"> -Connect power as detailed Section 8.3. -Restore electrical supply. -Determine and remove the cause of the overload trip. Leave the unit to cool down, check for fault 5 and retry. If the overload re-occurs, switch the power off and contact a Wallace Service Agent. -Check the float level switch setting and operation. Refer fault 9 below.
5.	Motor hums / buzzes but does not appear to run.	<ul style="list-style-type: none"> -Foreign body blocking the impeller. -Electrical fault. -Float level switch is faulty. 	<ul style="list-style-type: none"> -Remove obstruction from the pump. Check freedom of operation as per fault 1 above. -If there is no obstruction and the rotor turns freely, then the motor is possibly faulty. Refer to a service agent. -Check the float level switch.
6.	After evacuation the motor engages several times before stopping, or restarts at intervals without any liquid discharged into the collection tank.	<ul style="list-style-type: none"> -Water is leaking / back flowing into the unit from the delivery pipe, triggering the motor to re-start. -Non-return valve does not close properly. -No non-return valve in the delivery line. 	<ul style="list-style-type: none"> -Check that the swing check valve is clear. This should be the 32 mm SWING CHECK VALVE supplied installed in a vertical section of pipe as close as possible (within 1 metre) of the pump. -Remove the obstruction. -Fit 32 mm SWING CHECK VALVE supplied installed in a vertical section of pipe as close as possible (within 1 metre) of the pump.
7.	Pump runs and makes a rattling noise.	Solid object is in the tank or in the pump and will not pass through the delivery.	Clear the obstruction.
8.	Unit smells.	<ul style="list-style-type: none"> -Inadequate water leading to clogged up/dirty unit. -No water seal on waste pipes to the unit. 	<ul style="list-style-type: none"> -Flush unit out with a bleach solution and clean water. Increase the proportion of water to solids that flows into the unit. -Plumb in waste water traps.
9.	Pump does not start or stop at the correct levels of liquid in the tank. (This should be ON at 200 mm from the bottom and OFF at 60 mm from the bottom of the tank). ON level is the same for both domestic and COMMERCIAL models).	<ul style="list-style-type: none"> -Tank not correctly vented. -Float level switch jammed. -Float and cable set at an incorrect length. -Faulty float level switch. -Float level switch cable stiff and inflexible. 	<ul style="list-style-type: none"> -Unscrew tank inspection lid to allow venting. Switch power on and operate pump. If operation is correct, switch off power and check tank vent is clear or fit vent according to Sections 8.2.6. Replace inspection lid. -Remove obstruction and recheck freedom of operation. -Ensure that 50 mm of float cable is exposed inside the tank and the float switch can move freely up and down. Rotate the cable such that the float surface bearing the word "SMALL" (in capitals) is on the underside AND such that the float's flat surface rests at a 45 ° angle to the water level. -Replace the float level switch. -Replace the float level switch.

1 0.	Liquid leaks from the unit.	<ul style="list-style-type: none"> -Loose pipework connection. -Faulty float level switch gland. -Mechanical seal fault (leakage between motor and pump out of 2 small rectangular slots). -Leakage from the seal gasket between the pump and the tank. -Leakage from between the motor and pump. 	<ul style="list-style-type: none"> -Tighten the pipework connections. -Check and replace the gland if required. -Check and replace if necessary. -Check the condition of the seal. Replace if necessary. If necessary, run a small bead of neutral cure silicone sealant rated at 100 degrees Celsius on both sides of the seal. -Check and tighten the 4 studs to the tank. -Check there is adequate pressure on the seal. Adjust with the 4 nuts above and 4 nuts below the motor and pump assembly. Do NOT overtighten. -Check the condition of the o'ring. Make sure it is not pinched. Replace if necessary. -Check the pressure on the o'ring. Adjust the 4 nuts as per above. Do NOT overtighten.
1 1.	Waste water builds up in the shower tray.	<ul style="list-style-type: none"> -Air lock because connection is made into the small raised tank chamber under the cover. -Power is off. -Overload trip. -Inflows exceeding pump capacity. -Blockage in the pipework. -Pump malfunctioning. -Overflow pipe (if applicable) is blocked. 	<ul style="list-style-type: none"> -Reconnect the pipe into the walls of the collection tank at other end. -Check power supply and fuse. -Determine the cause and remove. Allow the motor to cool down. It will automatically reset. If unsure or if the motor trips again, call a service agent. -Check system against pump operating parameters. Refer Section 5 (Building Design). Temporarily turn off discharging appliance(s). -Find and remove blockage. -Refer above faults and rectify. -Unblock the overflow pipe.

APPENDIX C : Remote Installations

Figure 7 a :

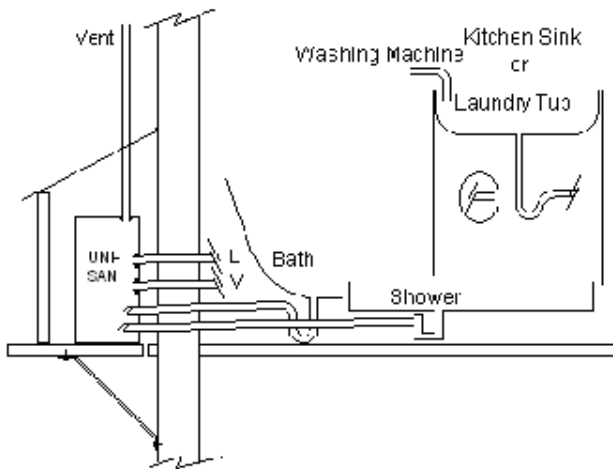
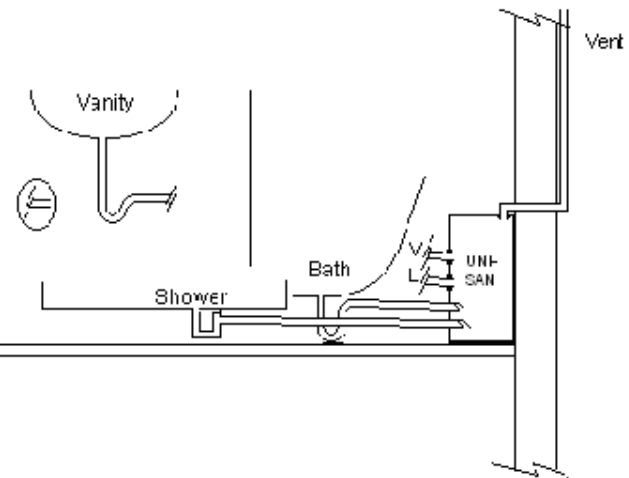


Figure 7 b :



OTHER REQUIREMENTS :

Ground surface water must not flood the unit.
 Avoid condensation / excessive moisture.
 Take adequate precautions against freezing of liquids inside the UNI-SAN and in all pipework in and out of the unit.

Easy access for maintenance. Install a union/coupling in the delivery pipe close to the motor/pump.

Permanent sturdy support - do not use particle board.
 House to keep dry, away from UV, and human interference.
 Provide drainage in the support in case of overflow out of the unit / leaks in the housing cover.

Vent the tank to appropriate height required by Building & Plumbing Code; **do not use air admittance valve.**

Electrical connection must be earthed and protected by ELCB

IF SHOWER AND/OR BATH CONNECTED

Install unshared UNI-SAN Bottom Inlet Valve and waste trap for each.

OVERFLOW PROTECTION :

Our warranty excludes any damage caused by an overflow. Because of the danger of flooding caused by continued flushing / discharge in excess of capacity or by a malfunction of the pump, particularly as the operation of the quiet motor outside the room cannot be heard by the occupants or visitors, you should review the safeguards described in section 10.4.

Installation on the floor in the same room:

An installation inside is simpler. If required, an accessible cupboard would effectively hide the unit and pipework.

IF SHOWER AND/OR BATH CONNECTED

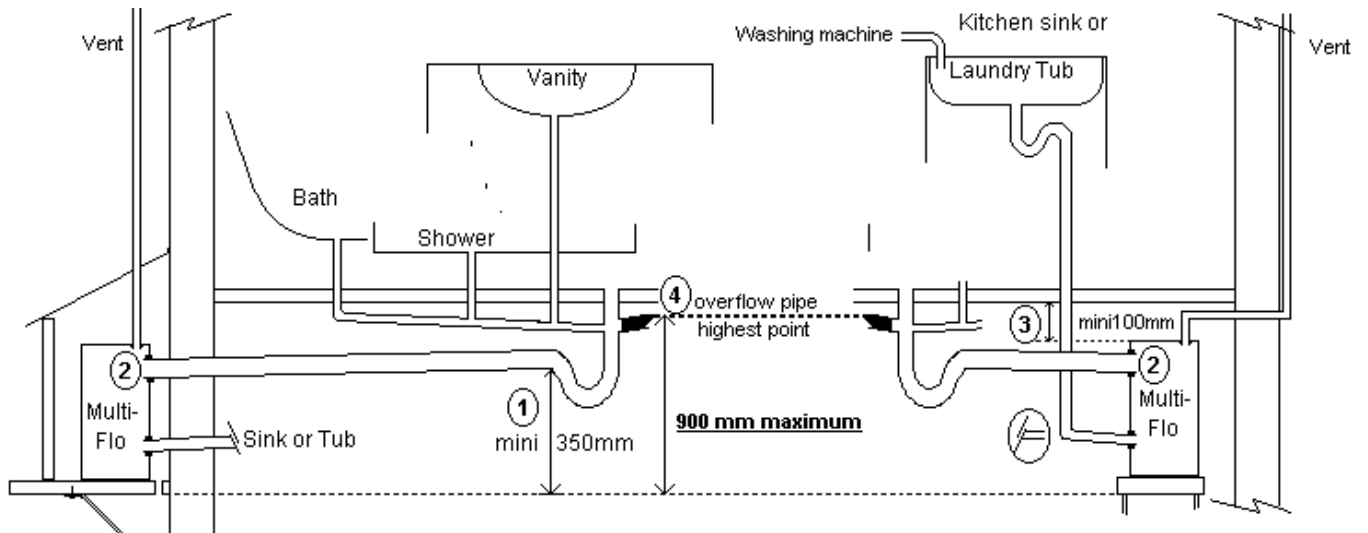
Install unshared Bottom Inlet Valve for each.

OVERFLOW PROTECTION :

The risk of flooding is reduced because the operation of the unit is audible and warning labels are affixed to the fixtures. For peace of mind, a pumped appliance should have a phase interrupted plug connected and a solenoid valve installed on fixtures in other rooms.

Continued...

Figure 7 c :



OTHER REQUIREMENTS :

The same requirements as for *Figure 7 a* and

- "1" if shower and/or bath and/or floor waste gully is connected, use a valve socket (instead of the Bottom Inlet Valve).

A waste trap must be installed to separate unpleasant smells from the unit.

Note the layout requirements for the floor waste gully or shower tray trap water level at a minimum of 350mm above the base of the collection tank and

- "2" the connection point of the valve socket should be in the top half of the wall of tank or on the top around the inspection lid.

- "3" provide for easy access to the inspection lid (we recommend a gap of 100 mm minimum above the top of the tank)

- installation of a union/coupling connector on the delivery line just after the pump is a must for easy future removal of the pump/motor for servicing.

- and the Wallace non-return non-clog full flow ball valve must be installed in a vertical position in the delivery line within a metre of the pump.

- "4" an **OVERFLOW PIPE should be installed** : to maintain the maximum 900mm height measured from the base of the tank to the lowest overflow point of all the fixtures or appliances discharging into the UNI-SAN. The maximum recommended height protects the unit against overpressurisation. To avoid any damage to property caused by an accidental overflow or a malfunction of the pump, the overflow should be delivered to a suitable and visible location outside. This lowest point may be a shower tray or a floor waste gully trap. In which case, we recommend an overflow pipe below the floor and can be simply achieved by installing a suitable diameter 88 degree pipe junction (DN 50 mm or bigger) above the waste trap of the fixture. The overflow pipe should after a short rise fall away and the delivery line should be kept straight or use long radius type bends. Keep the line unobstructed.

If no overflow pipe is connected, review the options described in section 10.4 .